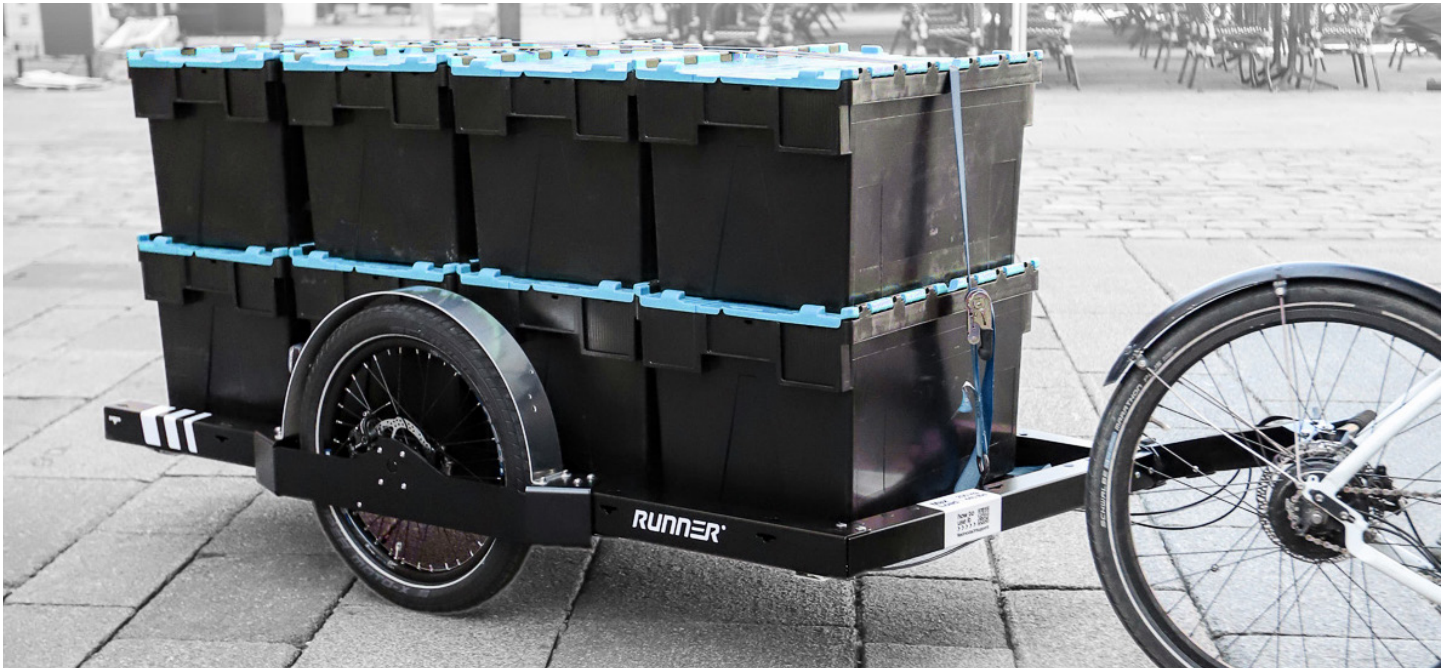


TRAILER

RUNNER



A COMPACT AND LIGHT **TRAILER** DESIGNED FOR **CITY DELIVERY**

- A large loading surface suitable for standard containers
- Up to 200kg (440lb) payload with an integrated overrun brake system
- In line with your cargo bike while keeping fluidity in traffic



Runner, a range of patented solutions designed by FlexiModal

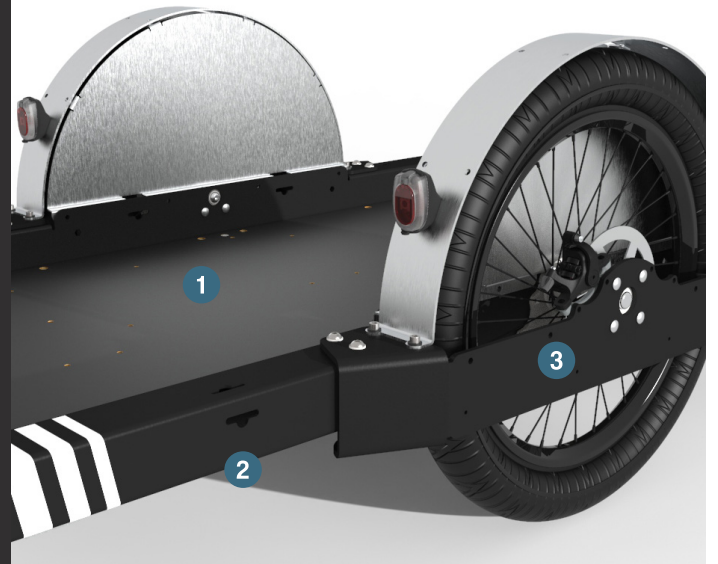
FlexiModal - FRANCE, Simplified Joint-Stock Company with variable capital
contact@fleximodal.fr +33 222 930 940

v1.2_12/02/2020



SECURITY

- 1 A lowered center of gravity for an optimal stability
- 2 Plentiful attachment points for the stowage of the load
- 3 Efficient overrun brake system : the trailer slows down proportionally to the braking of the bike
 - + manuel brake lever in pedestrian mode
 - + brake locking to ensure a safe loading



PRACTICAL



- 1 Mastered width of 89cm (34.25") appropriate for cycle paths
- 2 Multiposition drawbar with quick and easy hitching
- 3 A ramp position allowing the load of castors containers
- 4 Load surface (165x65cm) suitable for standard delivery boxes (60x40cm)

TECHNICAL DATAS

Overall width	89 cm	Max payload	200 kg / 440 lbs
Length (behind the bike)	185 cm	Empty weight	30 kg / 66.14 lbs
Ground clearance	18 cm	Loading area	165x65 cm

Runner, a range of patented solutions designed by FlexiModal

FlexiModal - FRANCE, Simplified Joint Stock Company with variable capital
 contact@fleximodal.fr +33 222 930 940

v1.2_12/02/2020

